

## FLOWLINE™ Single Bag Filter Housing



*Lightweight, cost-effective single bag filter housing meets a wide range of applications*

The FLOWLINE single bag filter housing is a versatile, heavy-duty, cost-effective bag filter housing and the best choice for industrial, commercial and OEM applications that do not require a code stamp.

This single bag filter housing's lightweight but robust construction incorporates valuable features that heavy-duty applications demand. Units come standard with filter bag size 01 or 02 stainless steel restrainer baskets.

### Features

- Side inlet with evacuation cover prevents spillage of unfiltered liquid, allowing for clean and easy filter bag change-outs
- Easy open cover features integral handle, 1/4" vent or gauge ports and "no tools" eye-bolt closures
- Cover opening direction easily adapts to different piping layouts and adjusts in the field to accommodate walls, posts or other obstructions

- Fabricated construction provides a cost-effective, lighter weight alternative to cast bag filter housings
- Adjustable mounting legs for simplified installation
- Ergonomic, integral cover handle is easy to open
- Smooth, bead-blasted finish, coupled with a minimum number of welds makes it easy to completely clean the interior
- Standard design available with threaded or flanged connections

### Options

- Available in 316 stainless steel for high corrosion resistance or carbon steel
- Buna-N® O-rings for the cover are standard. EPDM or Viton® seals and gaskets are available
- Multiple I/O connections to suit application

Viton® is a registered trademark of E. I. du Pont de Nemours and company.

**Filtersource.com**  
a Trumpler Clancy Company

75 Elmview Avenue  
Hamburg, NY 14075  
Phone: 716-649-2326  
Fax: 716-649-9006  
www.filtersource.com



Compression bag hold down creates 360 degree sealing between filter bag and bag filter housing

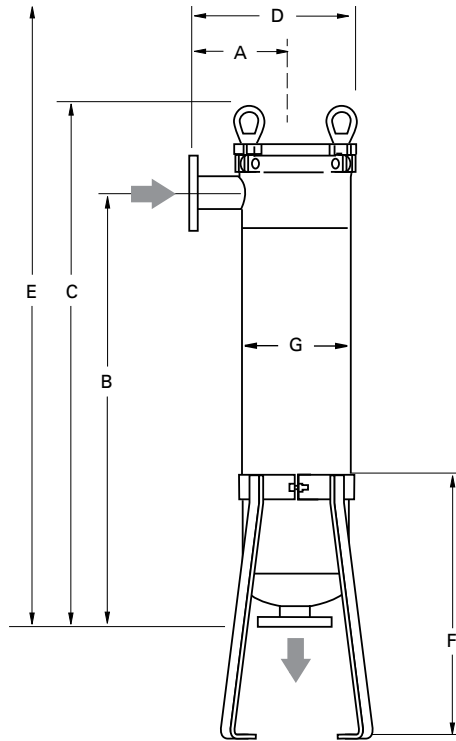


Ergonomic, integral cover handle is easy to open and close

# FLOWLINE Single Bag Filter Housing

## Applications

Coarse filtration > 500 µm	✓
Medium filtration > 10 µm	
Fine filtration < 10 µm	
Pre-filtration	✓
Safety filtration	
High volume	
Batch filtration	✓
Circuit filtration	
Continuous filtration	
Solvents, paints	
Fats and oils	
Catalyst, activated carbon	
Acids, bases	
Petrochemicals	
Water, waste water	✓
Chemical industry	
Pharmaceuticals	
Metal cleaning	✓
Automotive	
Electronics	
Food and beverage	
Paint and lacquer	
Water treatment	✓
Galvanic industry	



## Dimensions - inch (mm)

Models	A	B	C	D	E	F	G
FBF-0101 (thread)	5.37 (136)	19.64 (499)	26.38 (670)	10.42 (265)	37.00 (939)	19.10 (485)	7.68 (195)
FBF-0102 (thread)	5.37 (136)	35.19 (894)	41.68 (1,059)	10.42 (265)	67.75 (1708)	19.10 (485)	7.68 (195)
FBF-0101 (flange)	6.70 (150)	20.78 (487)	27.62 (701)	11.75 (299)	38.00 (965)	19.10 (485)	7.68 (195)
FBF-0102 (flange)	6.70 (150)	36.31 (882)	42.88 (1089)	11.75 (299)	69.00 (1753)	19.10 (485)	7.68 (195)
FBF-0102 (flange)	8.00 (203)	37.19 (945)	43.79 (1112)	13.07 (332)	70.20 (1783)	19.10 (485)	7.68 (195)

Dimensions for reference only and approximate. Exact dimensions for installation purposes available on request.

## Technical data

Models	No. of filter bags	Size	Flow rate <sup>1</sup> GPM (m <sup>3</sup> /h)	Max. pressure psi (bar)	Max. temp. °F (°C)	Housing volume gal (l)	Housing weight lb (kg)	I/O connections
FBF-0101	1	01	88 (20)	150 (10)	250 (120)	4 (15.5)	30 (13.6)	2" thread
FBF-0102	1	02	115 (26)	150 (10)	250 (120)	7 (27.0)	43 (19.5)	2" thread
FBF-0101	1	01	88 (20)	150 (10)	250 (120)	4 (15.5)	40 (21.5)	2" flange
FBF-0102	1	02	115 (26)	150 (10)	250 (120)	7 (27.0)	53 (27.0)	2" flange
FBF-0102	1	02	176 (40)	150 (10)	250 (120)	7 (27.0)	61 (27.6)	3" flange

<sup>1</sup> Maximum theoretical flow based on water viscosity, filter bag specific.